

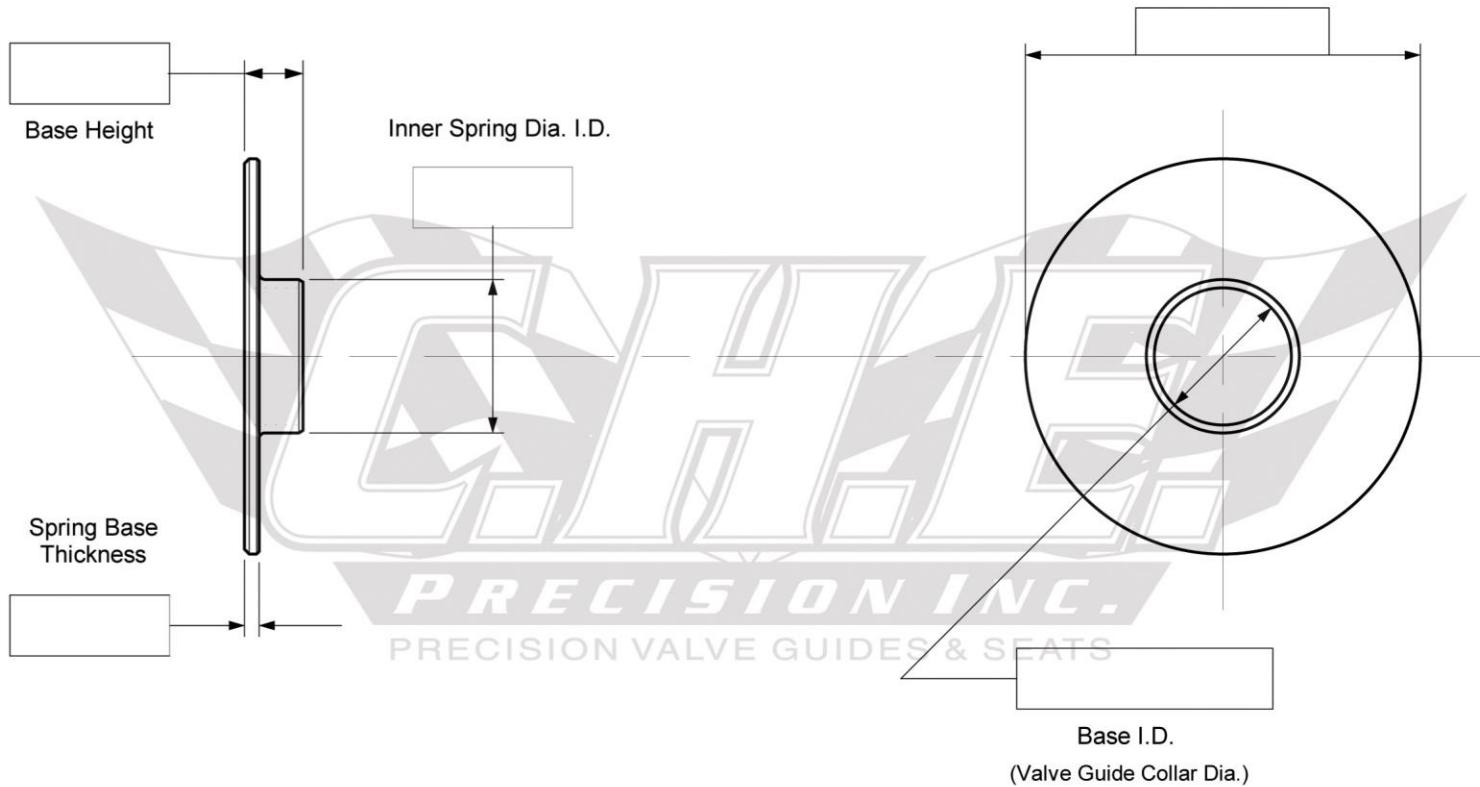


CHE Performance Auto Pty Ltd

Phone: +61 2 9834 2817

Email: [info@cheperformanceauto.com.au](mailto:info@cheperformanceauto.com.au)

Cyl. Head Pocket Dia.



Note: CHE & Part # will be Laser scribed on

This drawing is intended for CHE Precision customers which will allow for their design. Parts designed by the customer that have been manufactured to print shown above are non refundable.

### Customer Information

Company Name: _____			
Address: _____			
City: _____	State: _____	Zip: _____	
Phone: _____	Contact: _____		

### Part Information

Part Number: _____	
Comments: _____	